

KENDRION

INTORQ

POWERED BY KENDRION

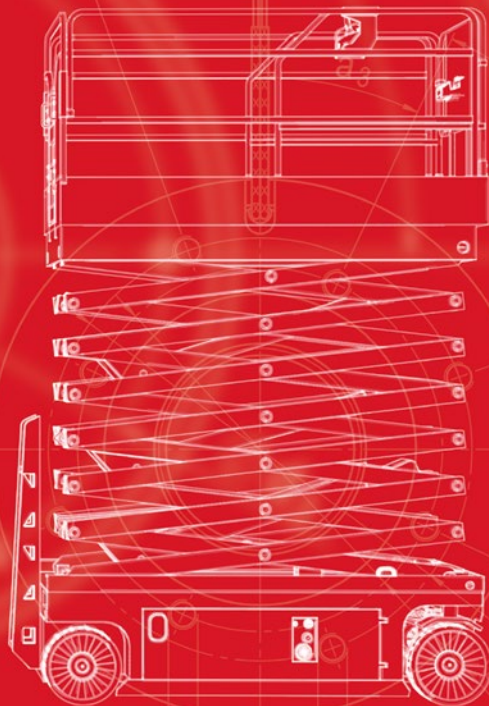
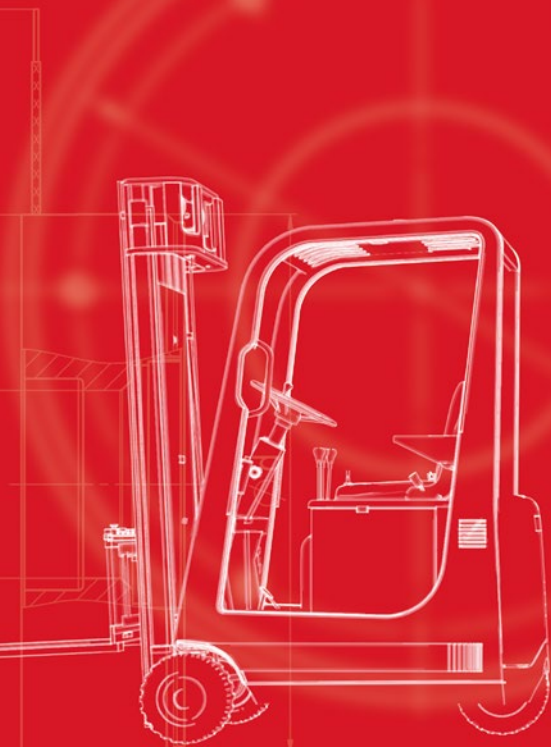


NEW SOLUTION

Spring-applied brake BFK552

Slim, powerful, reliable

Safety for your logistics applications



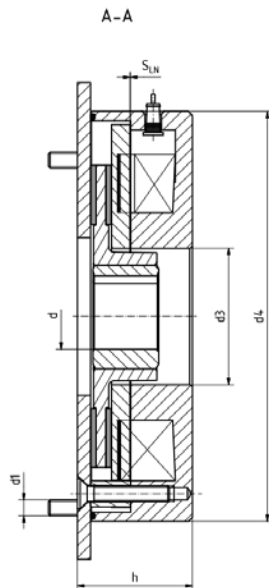
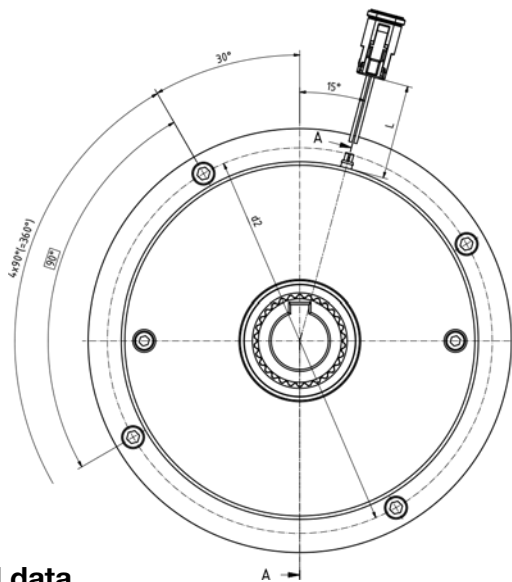
BFK552 – compact design

Especially in drives for industrial trucks and working platforms, every millimeter counts when fitting a brake.

Slim but so powerful –
With our BFK552 we have completed our portfolio for this application.

- Flat, compact design
- Stable braking torque over entire service life
- Extended maintenance interval due to less wear
- Water and dust protection according to IP66 (without hand release)
- Optional hand release
- Outstanding in terms of safety
- Global availability





Technical data

Size	08	12	18
Height h [mm]	40	43.7	55
Output P [W]	50/25	80/45	150/60
Torque T nom [Nm]	15	60	180
Hubs d [mm]	11/12/14/15/20	20/25	30/35/40/45
Outer diameter (d4) [mm]	*	156	*
Pitch circle (d2) [mm]	*	168.3	*
Screw connection (d1) [mm]	*	4xM6	*

*Detailed dimensions on request

INTORQ has been part of the Industrial Brakes Business Unit at Kendrion since early 2020.

Products for every requirement

Our product portfolio includes permanent magnet and spring-applied brakes as well as clutches and electronic accessories for a wide range of applications.

We are the brake experts

Both off-the-shelf products and customized solutions are part of our competencies. With over a century of experience, our strong technical team will develop the best solution for you.

What's important to us

We not only want to meet the requirements of our customers, we want to exceed them. With our products, which stand for quality, efficiency and innovation, we make the world a little bit safer!



INTORQ GmbH & Co. KG

Wülmser Weg 5
31855 Aerzen
Germany

T +49 5154 70534-222

deae-sales@kendrion.com
www.intorq.com

