



## Wireless universal transmitter RF 10 ST SW868 Material number: 1488191

### Features/Options:

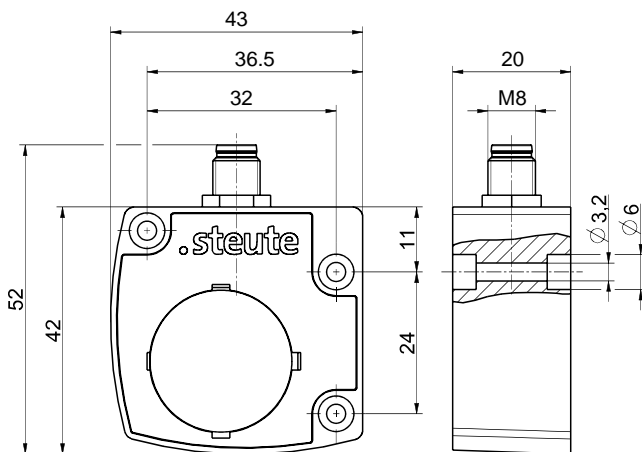
- Thermoplastic enclosure
- sWave® wireless technology
- No wiring and pipe laying required
- Plug-in connector M8

### Notes

- Connection of external switching contact (potentialfree contact) with gold contacts possible.

- Power supply by Lithium battery
- Easy programming of receiver
- Output signal can be individually configured at the receiver

### Dimensions



### Technical data

Applied standards	EN 60947-5-1, EN 61000-6-2, EN 61000-6-3, EN 61000-4-2, EN 301 489-1, EN 301 489-3, EN 300 220-1, EN 300 220-2
Enclosure	thermoplastic, glass-fibre reinforced, self-extinguishing UL 94 V-0
Tightening torque	enclosure mounting screws: 0.5 ... 0.6 Nm
Degree of protection	IP 67 to IEC/EN 60529
Protocol	sWave®
Frequency	868.3 MHz (Europe)
Transmission power	< 25 mW
Data rate	66 kbps
Channel bandwidth	480 kHz
Voltage supply	lithium battery CR 2032 (replaceable)
System	Lithium-MnO <sub>2</sub>
Nominal voltage	3 V
Nominal capacity	0.23 Ah
Battery life	> 800 000 operations
Connection	Plug-in connector M8 x 1, 3-pole
Mechanical life	> 1 million operations
Operation cycles	approx. 12000 telegrams with repetitions/h; SW922: max. 1440 telegrams/h
Wireless range	max. 450 m outside, max. 40 m inside
Actuating time	min. 80 ms

Errors and omissions excepted.



Wireless universal transmitter  
RF 10 ST SW868  
Material number: 1488191

## Technical data

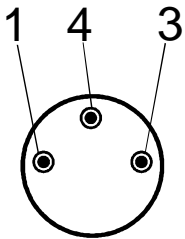
Ambient temperature -20 °C ... +65 °C

Note no status signal available,  
transmission of battery voltage  
and switching condition

Wireless approvals Europe: RED 2014/53/EU

Weight 50 g

## Pin assignment



## External switch contact

